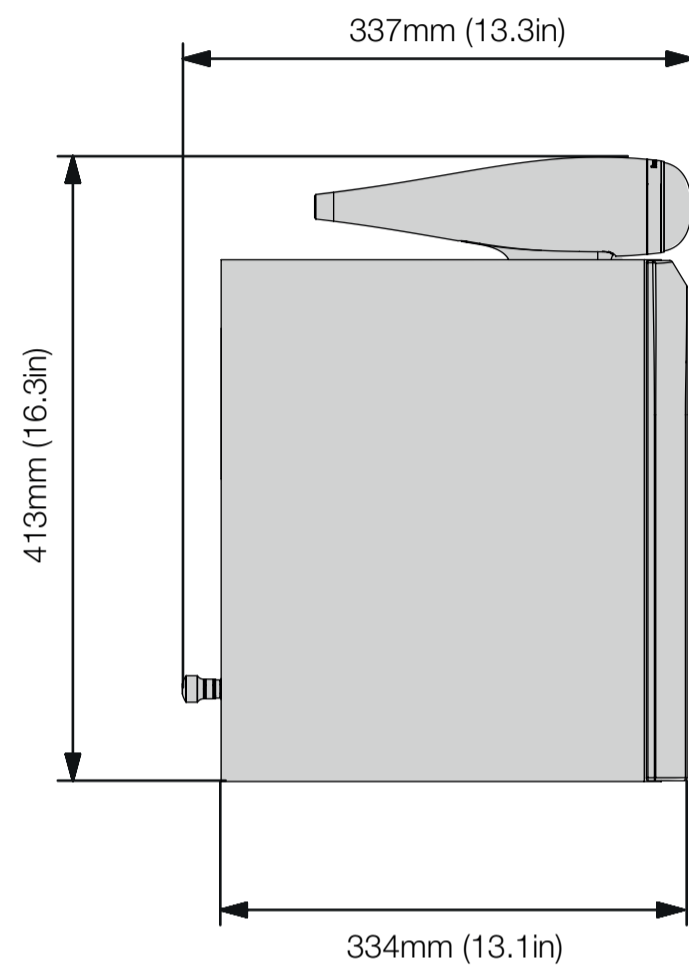


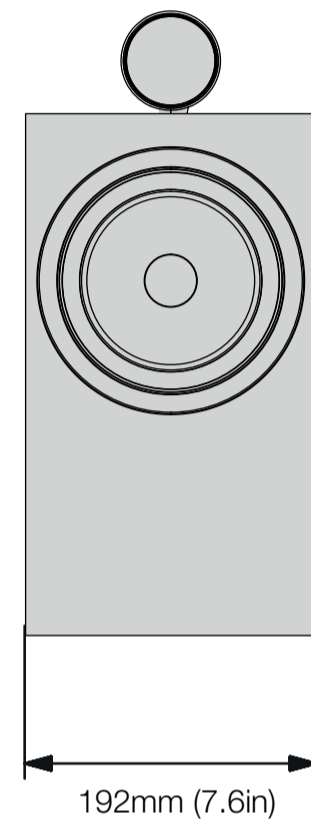
# Bowers & Wilkins

# 705 S3 and 705 S3 Signature

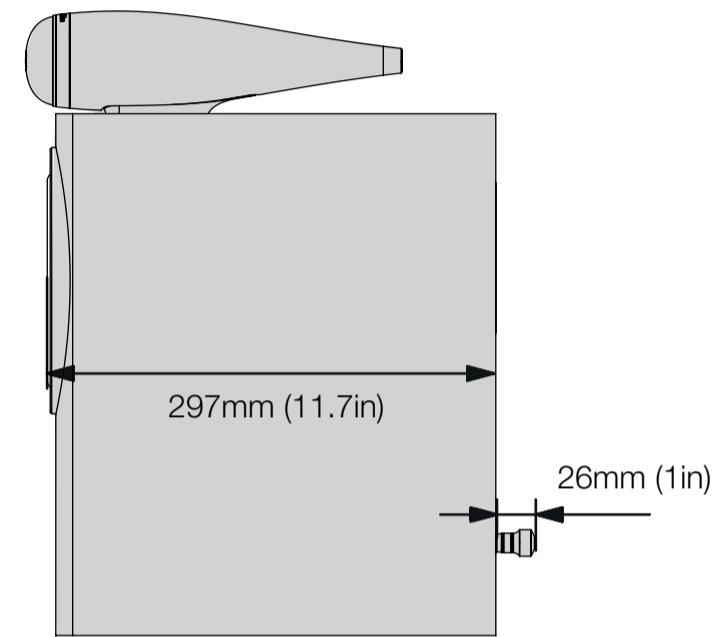
SIDE (WITH GRILLE)



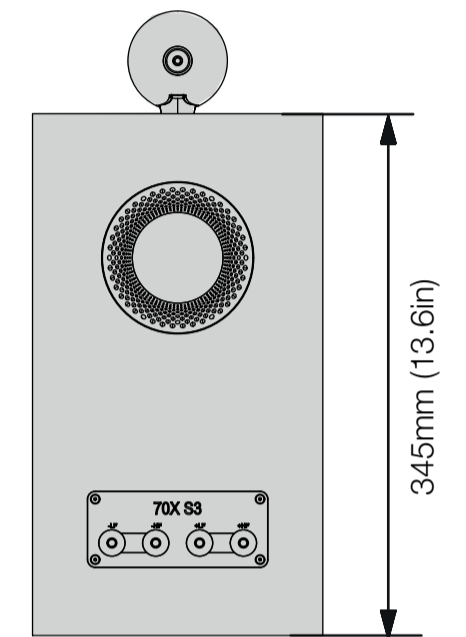
FRONT



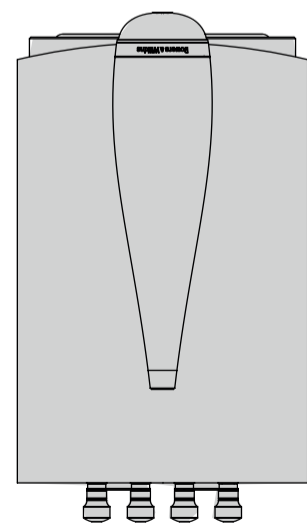
SIDE



BACK



TOP



CABINET BASE  
STAND SCREW ALIGNMENT

